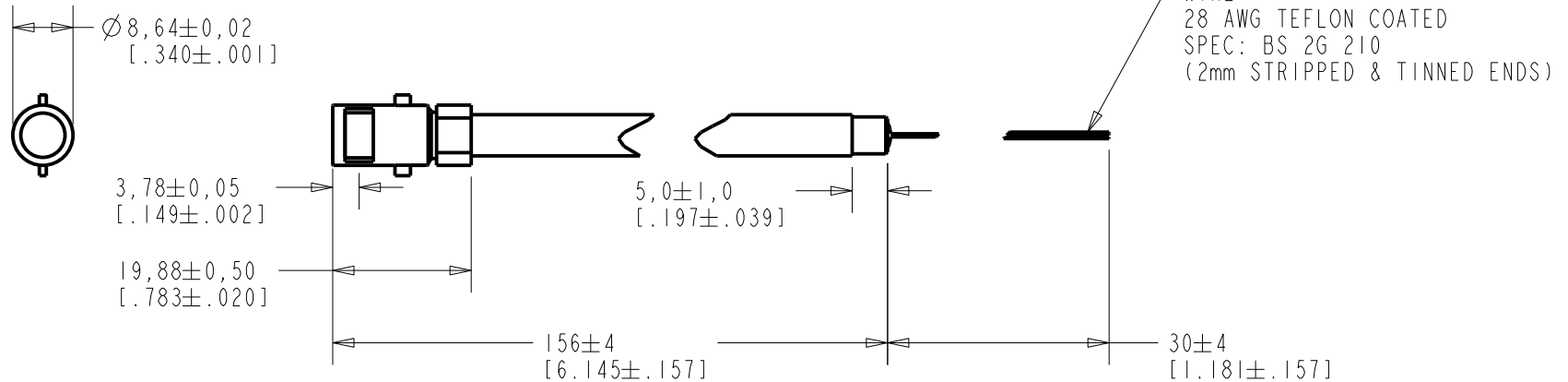
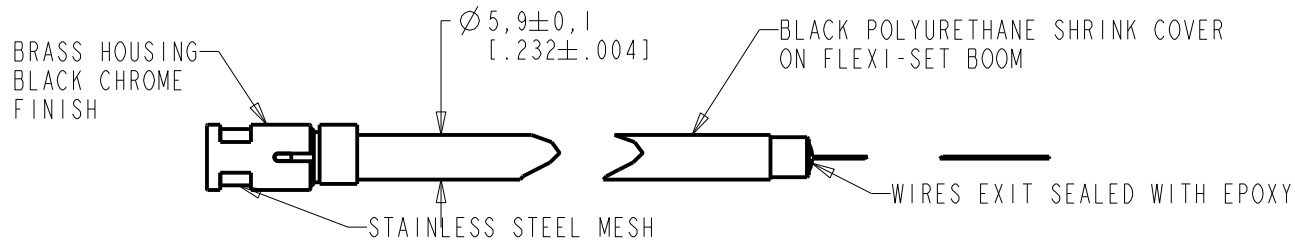


**FB-F0-30764-000**  
SHT 1.1



WIRE COLOR			WEIGHT GRAMS
+ve	-ve	SCREEN	
RED	BLACK	GREEN	29.1

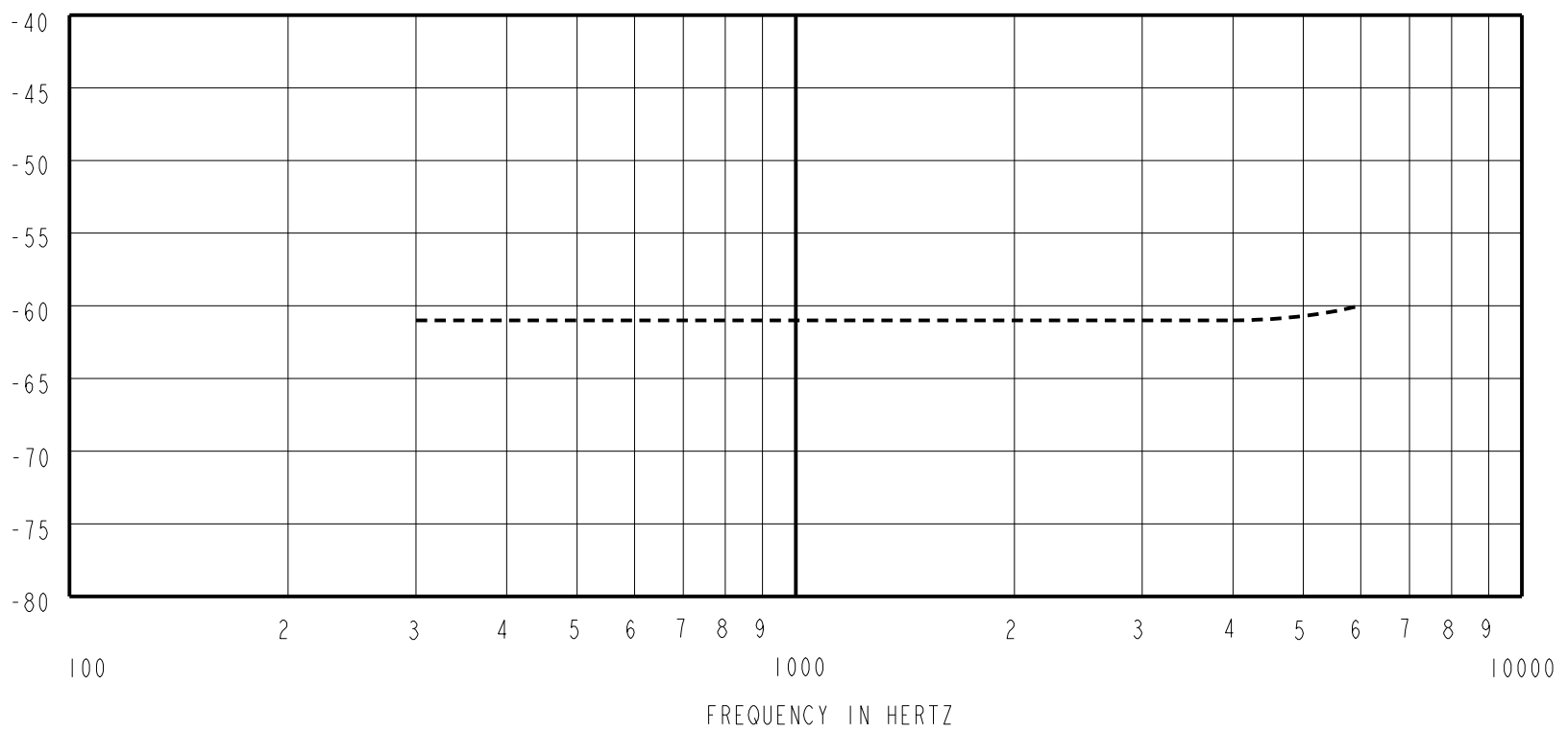
DIMENSIONS IN MILLIMETERS [INCHES]

Revision	C.O. #	Implementation Date	RELEASE LEVEL	REVISION
B	C10110740	6-17-10	<b>Active</b>	<b>B</b>
A	C10110737	5-19-10		

SCALE: 1:1	DR. BY: SDZ	DATE: 5-19-10
DO NOT SCALE DRAWING	CK. BY: GJP	DATE: 5-21-10
TITLE: <b>BOOM MICROPHONE</b>	APP. BY: GJP	DATE: 5-21-10
OUTLINE DRAWING	FB-F0-30764-000 SHT 1.1	

**KNOWLES ELECTRONICS**  
ITASCA, ILLINOIS U.S.A.

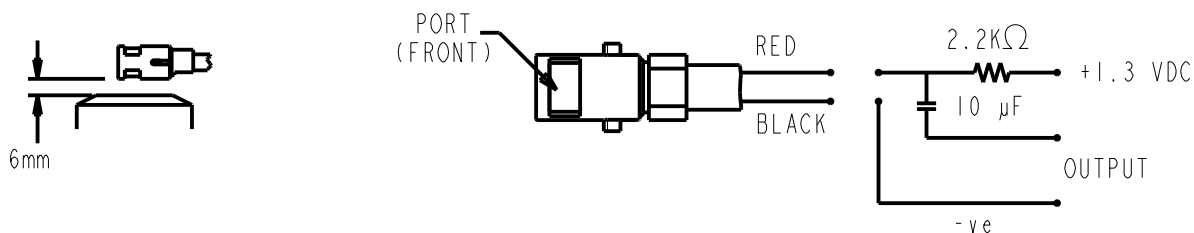
SENSITIVITY IN dB RELATIVE TO 1.0 VOLT/0.1 Pa (N/M<sup>2</sup>)  
FOR CONDITIONS SHOWN BELOW



NOTES:

- MICROPHONE TO BE FUNCTIONAL WITH 10 VDC SUPPLY.
- SENSITIVITY VALUES INDICATED ON THIS SPECIFICATION ARE VALID AT 50% HUMIDITY.
- SENSITIVITY

FREQUENCY	MIN	NOM	MAX
300	-65.0	-61.0	-57.0
1000	-64.0	-61.0	-58.0
4000	-65.0	-61.0	-57.0
- TEST CONDITIONS:  
HEAD OF BOOM EXPOSED TO 94 dB SPL SWEPT SOUND FIELD AT 6mm FROM VOICE APERTURE.  
ARTIFICIAL VOICE: B & K 4227 MOUTH SIMULATOR.
- FOR MICROPHONE CAPSULE SPEC. SEE WP-23501-000 SHEET 2.1



LEAD IDENTIFICATION  
& TEST CIRCUIT

Revision	C.O. #	Implementation Date	RELEASE LEVEL	REVISION
B	C10110740	6-17-10	Active	B
A	C10110737	5-19-10		

**KNOWLES ELECTRONICS**  
ITASCA, ILLINOIS U.S.A.

WHEN TEST LIMITS ARE USED TO ESTABLISH INCOMING INSPECTION ACCEPTANCE/REJECTION CRITERIA, CORRELATION OF TEST EQUIPMENT WITH KNOWLES IS ALSO REQUIRED FOR ELIMINATION OF EQUIPMENT AND TEST METHOD VARIATION

TITLE: **BOOM MICROPHONE** **FB-F0-30764-000**  
PERFORMANCE SPECIFICATION **SHT 2.1**

DR. BY	DATE
SDZ	5-19-10
CK. BY	DATE
GJP	5-21-10
APP. BY	DATE
GJP	5-21-10